

M12 0° / RJ45 MALE 0° ETHERNET

793 PUR 1x4xAWG22 shielded gn 6.0

Male straight – male straight

M12 – RJ45, 4-pole

D-coded

shielded

Ethernet CAT5

Further cable lengths on request.

Plastic housings with good resistance against chemicals and oils.

The resistance to aggressive media should be individually tested for your application. Further details on request.

Illustration

Product may differ from Image

Approvals

* only for products with UL/CSA approved cable

More Info

EtherNet/IP

**Form**

Form 44711

Cables

| | |
|----------------------------|------------------------------|
| No./diameter of wires | 1 × 4 × 0.34 mm ² |
| Wire isolation | PE (wh, ye, bl, or) |
| Material (jacket) | PUR (UL/CSA) |
| Outer Ø | 6.6 mm ±5% |
| Bend radius (moving) | 12 × outer Ø |
| Temperature range (fixed) | -40...+80 °C |
| Temperature range (mobile) | -20...+60 °C |
| Cable identification | 793 |

| | |
|-------------------------------------|--|
| Approval (cable) | UL (AWM-Style 20233/10578), CSA; CE |
| Cable weight [g/m] | 69,30 |
| Material (wire) | Cu wire, tin plated |
| Resistor (core) | max. 60 Ω /km (20 °C) |
| Single wire \varnothing (core) | 0.16 mm |
| Construction (core) | 19× 0.160 mm |
| Diameter (core) | 1 × 4× AWG22/19 (0.382) |
| Material (wire isolation) | PE |
| Wire- \varnothing incl. isolation | 1.6 mm \pm 5% |
| Color/numbering of wires | wh, ye, bl, or |
| Shield | yes |
| | min. 85% |
| Material (jacket) | PUR |
| Outer- \varnothing (jacket) | 6.6 mm \pm 5% |
| Color (jacket) | green |
| chemical resistance | good resistance to oil, gasoline and chemicals |
| thermal resistance | flame retardant |
| Nominal voltage | 300 V |
| Temperature range (fixed) | -40...+80 °C |
| Temperature range (mobile) | -20...+60 °C |
| Bend radius (fixed) | 8× outer \varnothing |
| Bend radius (moving) | 12× outer \varnothing |
| Torsion stress | \pm 180°/m |
| No. of torsion cycles | max. 4 Mio. (25 °C) |
| Jacket Color | green |

Technical Data

| | |
|--|--|
| Operating voltage | max. 60 V DC |
| Operating voltage (only UL listed) | max. 30 V DC |
| Rated surge voltage | 1.0 kV |
| Operating current per contact | max. 1.5 A (20 °C) |
| Material group | IEC 60664-1, category I |
| Transfer parameters | CAT5, Class D (ISO/IEC 11801:2002), (EN 50173-1) |
| Transfer rate | up to 100 Mbit/s full duplex |
| Coding | M12, D-coded |
| Locking of ports | Screw thread (M12×1 mm) recommended torque 0.6 Nm, self-securing |
| Compression gland | M12 (SW13) |
| Protection | IP67 (M12) - IP20 (RJ45) |
| Locking material | Zinc die casting, matte nickel plated |
| Material | PUR |
| suitable for corrugated tube (internal \varnothing) | without |

General data

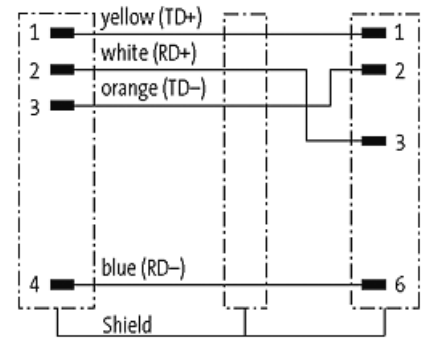
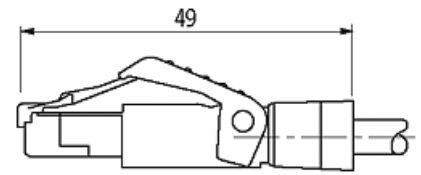
| | |
|-------------------|--|
| Standards | DIN EN 61076-2-101 (M12) |
| Pollution Degree | 3 |
| Temperature range | -25...+85 °C, depending on cable quality |

Commercial data

| | |
|-----------------------|---------------|
| country of origin | DE |
| customs tariff number | 85444290 |
| EAN | 4048879750028 |
| eClass | 27061801 |
| Packaging unit | 1 |

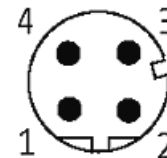
stay connected

Sketch



Male

Male



Product may differ from Image